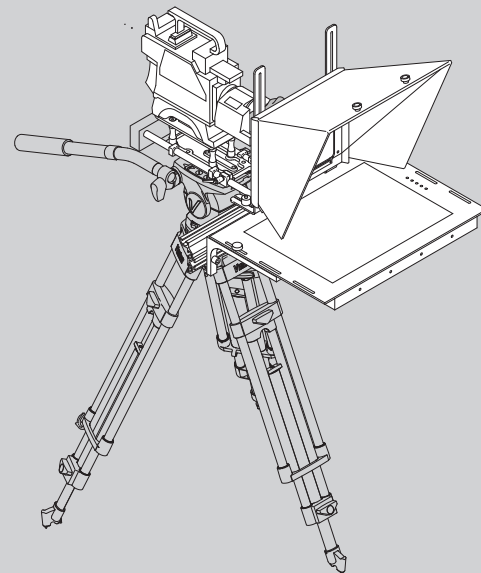


ELP 15 PLUS

On-Camera Prompter



Part No. ELP15PLUS-ME

Copyright © 2014

All rights reserved.

Original Instructions: English

All rights reserved throughout the world. No part of this document may be stored in a retrieval system, transmitted, copied or reproduced in any way, including, but not limited to, photocopy, photograph, magnetic or other record without the prior agreement and permission in writing of the Vitec Group plc.

Disclaimer

The information contained in this manual is believed to be correct at the time of printing. Vitec Videocom Ltd reserves the right to make changes to the information or specifications without obligation to notify any person of such revision or changes. Changes will be incorporated in new versions of the publication.

We are making every effort to ensure that our manuals are updated on a regular basis to reflect changes to product specifications and features. Should this manual not contain information on the core functionality of your product, please let us know. You may be able to access the latest revision of this manual from our website.

Vitec Videocom Ltd reserves the right to make changes to product design and functionality without notification.

Trademarks

All product trademarks and registered trademarks are the property of The Vitec Group Plc.

All other trademarks and registered trademarks are the property of their respective companies.

Published by:

Vitec Videocom Ltd
Supports Technical Publications Department
Western Way, Bury St Edmunds
Suffolk IP33 3TB
United Kingdom
Email: technical.publications@vitecgroup.com

Safety	2	Configuration	19
About this Manual	3	Control Panel Buttons	19
Components and Connections	4	Monitor Function OSD Menus	19
On-Camera Prompter Key Components	4	Maintenance	21
Prompter Installation Components	5	Troubleshooting	22
Box Contents	5	Technical Specification	23
Tools Required	7	General Notices	24
Prompter Monitor Connections	6		
Prompter Monitor Control Panel	6		
Installation	7		
Mounting the Camera and Extrusion	7		
Mounting the Prompter Monitor	9		
Assembling and Fitting the Hood	10		
Adjusting the Prompter Assembly Position	12		
Fitting the Reflective Glass Panel	13		
Fitting the Light Shield Cloth	14		
Fitting the Counterbalance Weights	15		
Balancing and Adjustments	15		
Connecting the Prompter Monitor	17		
Powering Up	18		

Safety

Important information on the safe installation and operation of this product. Read this information before operating the product. For your personal safety, read these instructions. Do not operate the product if you do not understand how to use it safely. Save these instructions for future reference.

Warning Symbols Used in these Instructions

Safety cautions are included in these instructions. These safety instructions must be followed to avoid possible personal injury and avoid possible damage to the product.



WARNING!

Where there is a risk of personal injury or injury to others, comments appear supported by the warning triangle symbol. Where there is a risk of damage to the product, associated equipment, process or surroundings, comments appear supported by the word 'Caution'.



ELECTRIC SHOCK

Where there is a risk of electric shock, comments appear supported by the hazardous voltage warning triangle.

Intended Use

The ELP 15 PLUS on-camera prompter has been designed to provide a high quality teleprompting facility for television broadcasting.

The prompter is intended for use by television camera operators within a TV studio environment or on outside broadcasts (OB) when protected from weather by a suitable waterproof cover.

Health and Safety



WARNING! Risk of personal injury or injury to others. All personnel must be fully trained and adhere to correct manual handling techniques and Healthy & Safety regulations. It is the responsibility of the local organisation to enforce safe working practices at all times.



WARNING! Risk of personal injury or injury to others. Care must be taken when handling and installing the reflective glass panels. Always store spare glass panels in the original packaging.

Electrical Connection



WARNING! Risk of electric shock. Always check cables for signs of damage. Damaged cables can cause personal injury and/or damage the equipment.



CAUTION! This product must be connected to a power supply of the same voltage (V) and current (A) as indicated on the product. Refer to the technical specifications for the product.



CAUTION! Only use the power cable specified for this product and certified for the country of use.



CAUTION! Using alternative power sources will invalidate the system EMC liability.



CAUTION! Always use a fuse of the correct type and rating for the product. Refer to the Technical Specifications for the product.

Mounting and Installation



WARNING! Before attempting to install or adjust the prompter assembly, the tilt axis of the head support must be securely locked horizontally.



WARNING! Do not install this product onto a camera support or other equipment that is not designed to support the weight of the product and its payload.



WARNING! Always ensure that all power and auxiliary communications cables are routed so that they do not present any danger to personnel. Take care when routing cables in areas where robotic equipment is in use.

Water, Moisture and Dust



WARNING! Protect the product from water, moisture and dust. The presence of electricity near water can be dangerous.



WARNING! When using this product outside, protect from rain using a suitable waterproof cover.

Ventilation



WARNING! Slots and openings are intended for ventilation purposes to ensure reliable operation of the product, and protect it from overheating. Do not block or cover any slots and openings.

Operating Environment



CAUTION! The product should not be used outside the operating temperature limits. Refer to the product technical specifications for the operating limits for the product.

Cleaning



WARNING! Risk of electric shock. Always disconnect and isolate the product from the power supply before cleaning.



CAUTION! Do not use solvent or oil-based cleaners, abrasives or wire brushes.

Maintenance



WARNING! Servicing or repair of this product must only be performed by qualified and trained electrical engineers.



WARNING! The fitting of non-approved parts and accessories, or the carrying out of non-approved alterations or servicing can be dangerous and could affect the safety of the product. It may also invalidate the terms and conditions of the product warranty.

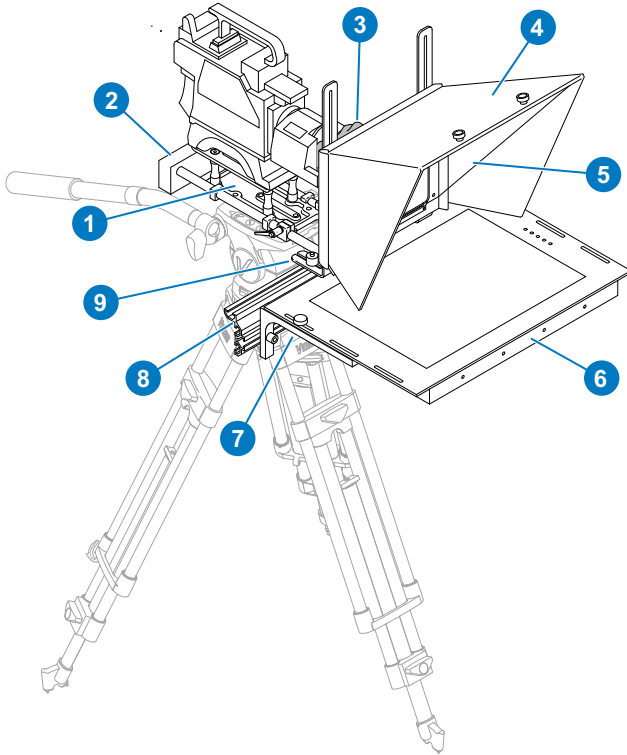
About this Manual

This manual describes the installation of the ELP 15 PLUS onto a suitable camera support as part of a full prompting system, using the range of compatible mounting equipment available for various camera configurations.

Components and Connections

On-Camera Prompter Key Components

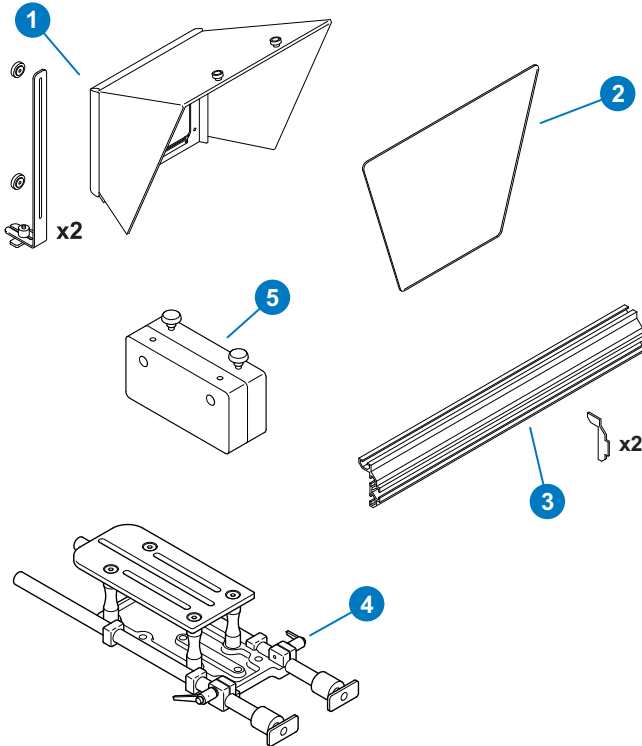
The illustration below highlights the key components used in a typical prompter installation.



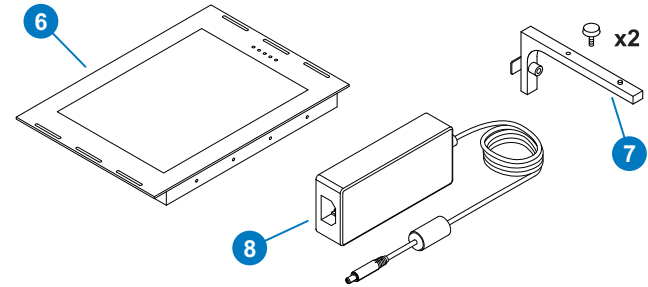
1	Camera mounting plate
2	Counterbalance weights
3	Blackout cloth
4	Hood
5	Reflective glass
6	LED TFT monitor display
7	Monitor mounting brackets
8	Main prompter mounting extrusion
9	Hood mounting brackets

Prompter Installation Components

The following section describes the range of component parts available for a complete prompter installation using the ELP 15 PLUS monitor.



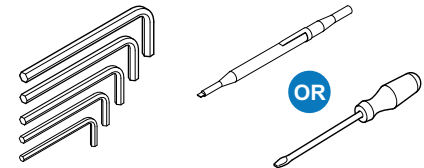
Box Contents



No.	Part	Description
1	FH-S	Folding hood (unassembled)
2	RGFH-S	Reflective glass panel
3	EXT-M	Extrusion
4	MT-RED	Camera mounting plate
5	CBMT-R	Counterbalance weights
6	ELP15PLUS-M	Prompter monitor
7	MT-ELP	Monitor mounting brackets
8	PSU-CP	12 VDC power supply

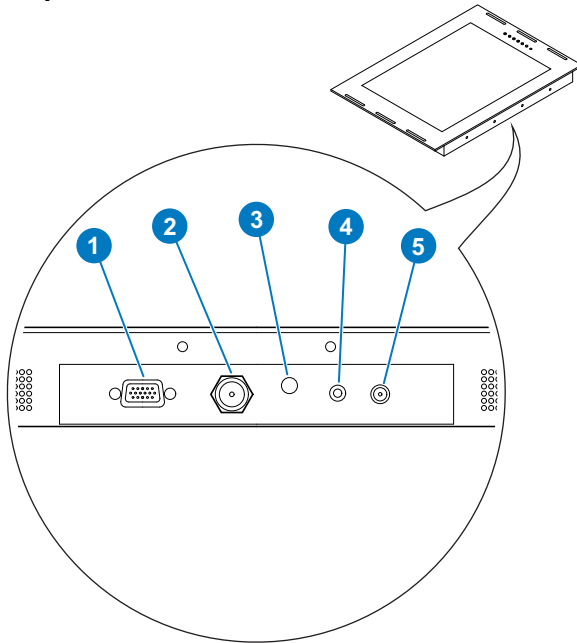
Tools Required

- Metric Allen key set.
- Potentiometer adjustment tool or small screwdriver.



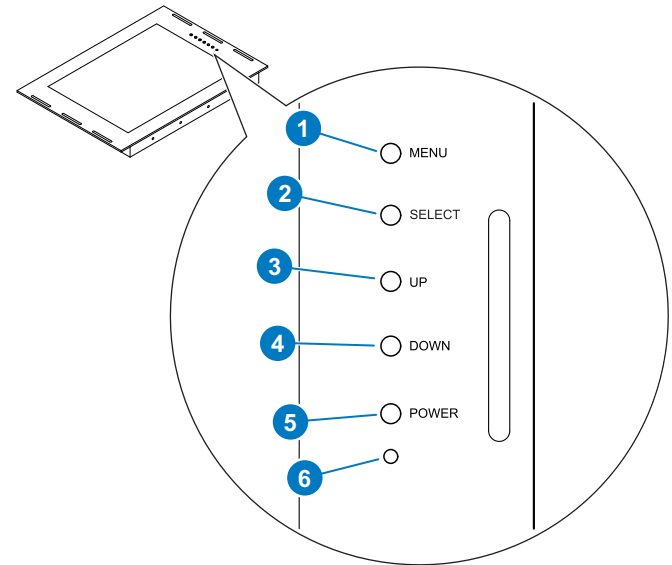
Components and Connections

Prompter Monitor Connections



1	VGA IN socket
2	Composite video IN socket
3	Power indicator LED
4	12 VDC OUT accessory socket
5	12 VDC IN power socket

Prompter Monitor Control Panel



1	Menu button
2	Selection button
3	Up navigation button
4	Down navigation button
5	Power button
6	Power indicator LED

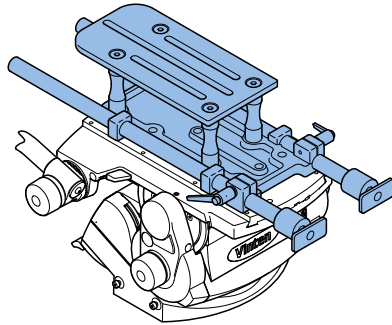
Mounting the Camera and Extrusion



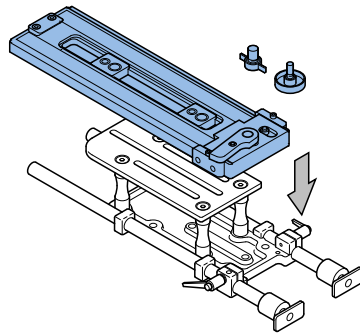
WARNING! Before attempting to install or adjust the prompter assembly, the tilt axis of the head support must be securely locked horizontally (tilt axis).

A camera mounting plate must be fitted between the head support and the camera body to allow installation of the prompter system.

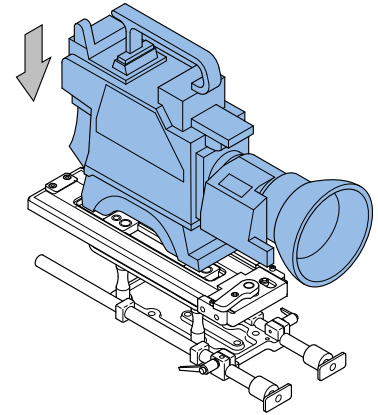
1. Fit the MT-RED mounting plate to the camera support.



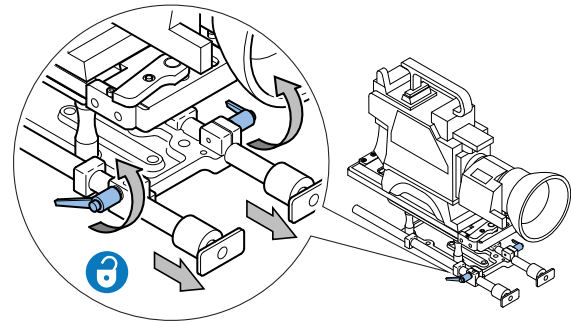
2. Fit the mounting plate for the camera being used to the top of the MT-RED mounting plate, using the fixing screws provided.



3. Firmly clip the camera into position on the mounting plate.

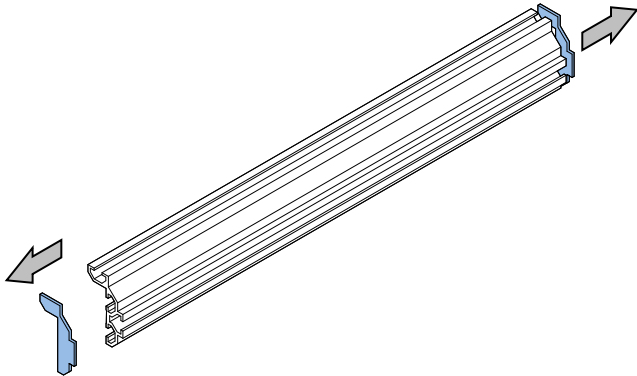


4. Undo the clamps securing the telescopic rods. If necessary, slide the rods forwards to improve access.

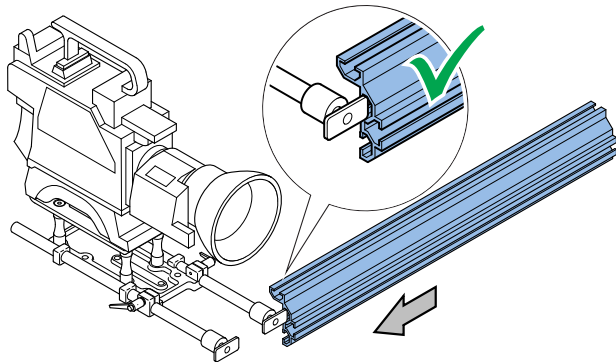


Installation

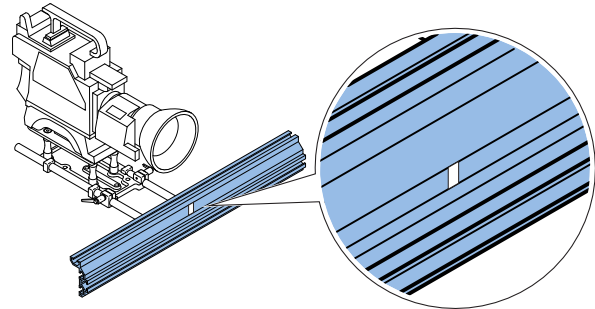
5. Remove the two protective end caps from the extrusion.



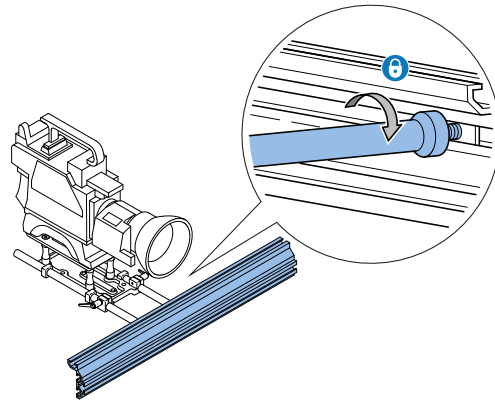
6. Slide the extrusion over the clamps on the end of the rods.



7. Centralise the extrusion, aligning the marker with the centre of the camera lens.



8. Turn the rods to tighten the clamps onto the rear of the extrusion. The clamps can be tightened securely by using an Allen key as a lever through the holes in the rods.



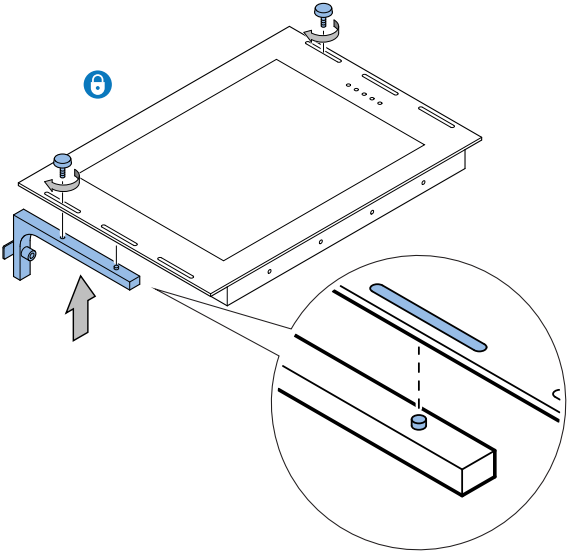
Mounting the Prompter Monitor



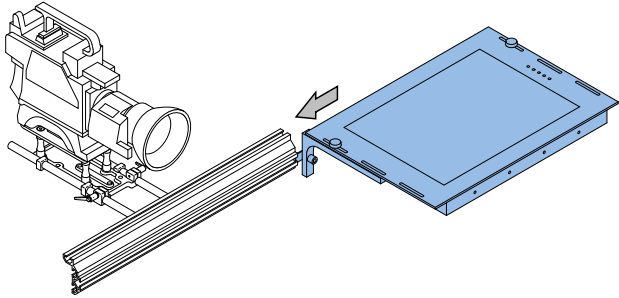
WARNING! Before attempting to install or adjust the prompter monitor assembly, the tilt axis of the head support must remain securely locked horizontally.

When the extrusion is fitted and correctly secured to the camera mount, the prompter monitor can be fitted.

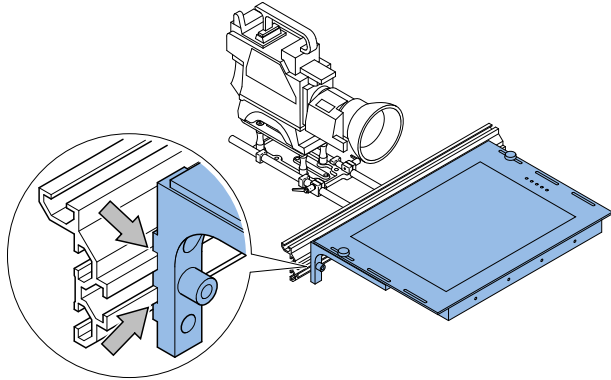
1. Fit the mounting brackets to the monitor. Ensure that the dowel pin is seated in the slot on the monitor. Do not fully tighten the fixing screws at this point.



2. Align the clamps on the monitor brackets with the slot in the front of the extrusion and slide the assembly into position.

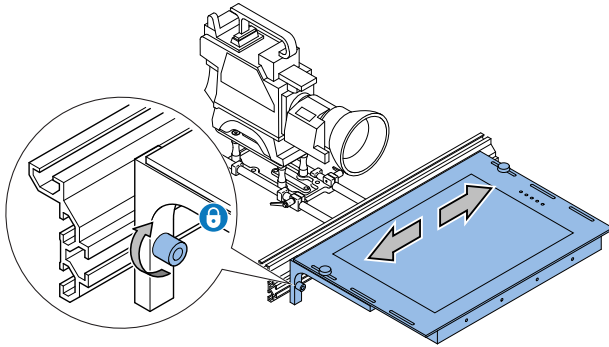


3. Ensure that the indents on the mounting brackets are correctly seated on the extrusion.

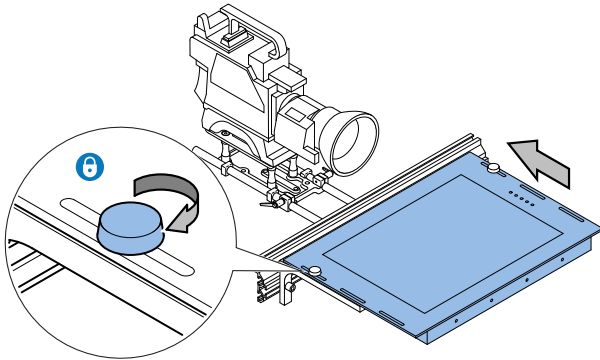


Installation

4. Centralise the monitor on the extrusion and tighten the two fixing screws.



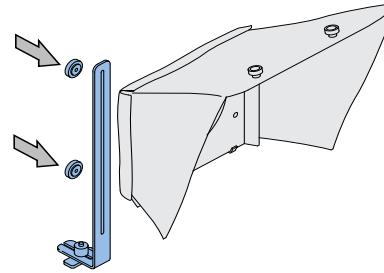
5. Fully push the monitor back towards the extrusion. Tighten the two fixing screws to secure the monitor in position.



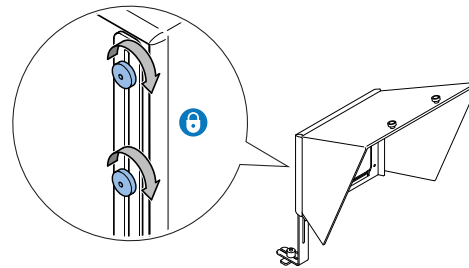
Assembling and Fitting the Hood

The standard folding hood (FH-S) is recommended for use with the ELP15 PLUS on camera prompter. Fixing brackets are supplied for use with the hood.

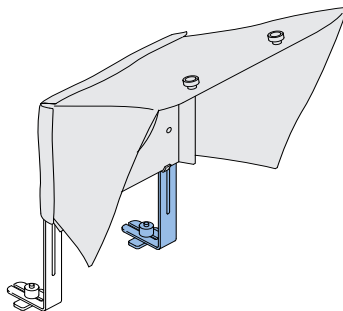
1. Align the slot in the hood bracket and the two clamping knobs with the two threaded studs on the rear of the hood.



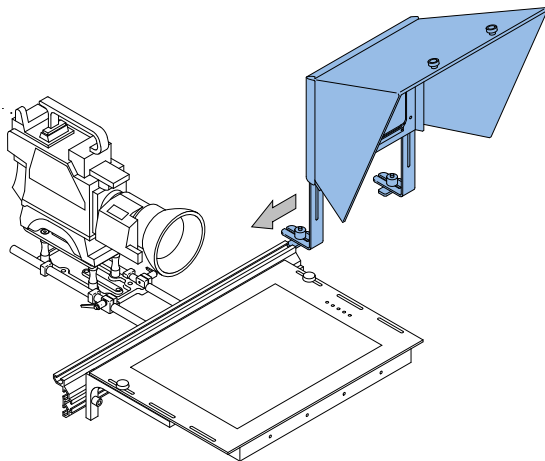
2. Tighten the clamping knobs to secure the hood bracket in position.



3. Repeat steps 1 and 2 for the opposite hood bracket.



4. Align the clamps on the ends of the hood brackets with the slot in the top of the extrusion. Slide the hood assembly onto the extrusion.

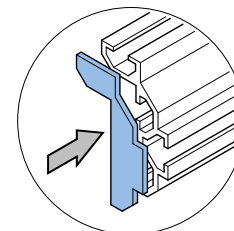


Fitting the Extrusion End Caps



WARNING! Risk of personal injury or injury to others.
When the hood has been installed, the supplied extrusion end caps must be fitted.

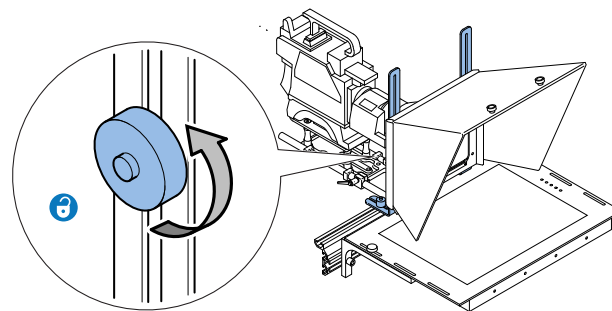
Firmly press the extrusion end caps into place at both ends of the extrusion.



Adjusting the Hood Position

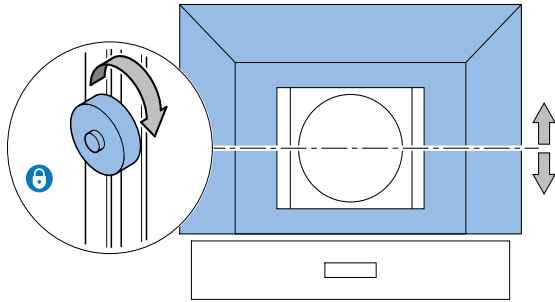
The vertical and horizontal position of the hood must be adjusted to centralise it with the camera lens.

1. Loosen the four clamping knobs on the rear slides of the hood mounting brackets.

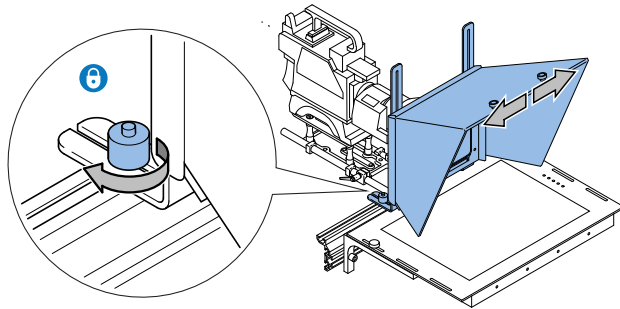


Installation

2. Adjust the vertical position of the hood on the slides to centralise it with the camera lens and fully re-tighten the clamping knobs.



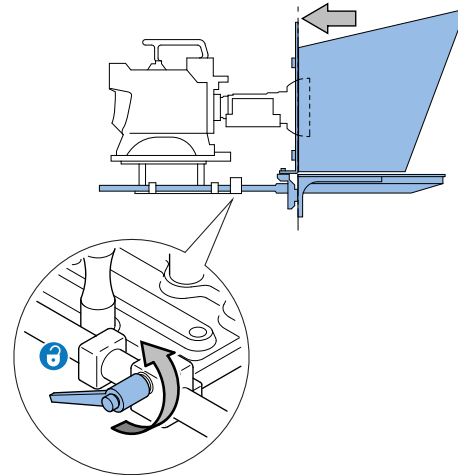
3. Adjust the horizontal position of the hood in the extrusion slot to centralise it with the camera lens. Tighten the clamping knobs to secure the hood in position.



Adjusting the Prompter Assembly Position

The horizontal position of the prompter assembly must be adjusted to optimise its position relative to the camera lens.

1. Loosen the clamp handles on the MT-RED mounting plate and move the prompter assembly back until the hood overlaps the camera lens.



2. Re-tighten the clamp handles to secure the assembly.

Fitting the Reflective Glass Panel



WARNING! Risk of personal injury or injury to others.

Care must be taken when handling and installing the reflective glass panels. Always store spare glass panels in the original packaging.



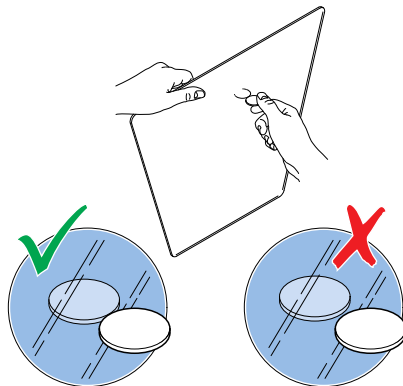
WARNING! Only use the correct size glass panel designed for the installed hood.

When the hood has been installed, the reflective glass panel can be fitted to the prompter assembly.

Panel Orientation

For the ELP 15 PLUS prompter to display images, it is essential that the reflective side of the glass is installed facing outwards. The reflective side of the glass can be established as follows:

Carefully hold a blunt object such as a coin against the surface of the glass.

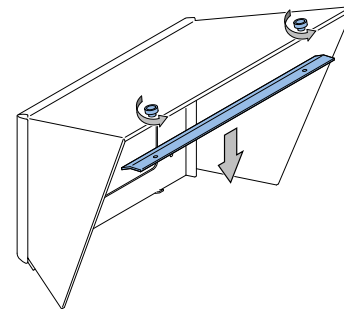


If the object is being held against the reflective side, there will be no gap (depth of the glass) before the reflection.

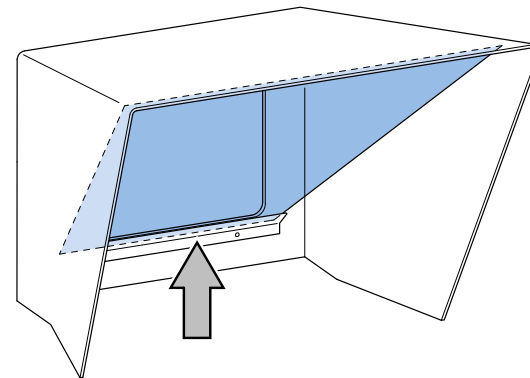
Fitting the Glass Panel

The installation procedure for the glass panel is the same on all types of hood, although there are more fixing screws on the larger hoods.

1. Remove all the screw fixings from the top of the hood to release the top glazing bar.

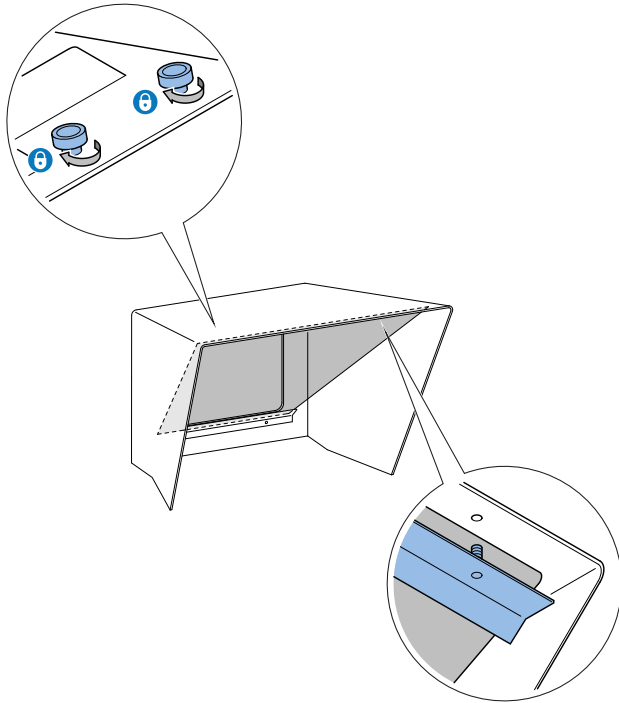


2. Carefully position the glass panel on the bottom glazing bar inside the hood.



Installation

3. With the glass supported at all times, replace the top glazing bar and secure with the screw fixings.



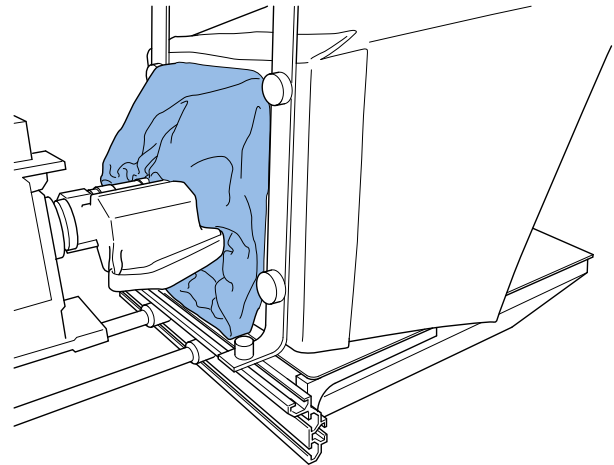
Fitting the Light Shield Cloth



CAUTION! Ensure that the light shield cloth is only loosely fitted around the body of the servo lens to allow it to continue operating freely.

The light shield cloth is built in to the hood and must be fitted around the camera lens to prevent light entering behind the glass. This is essential for the prompter to display text clearly.

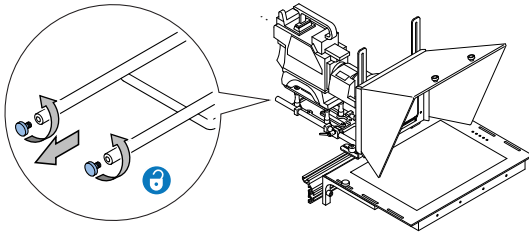
Fit the light shield cloth around the camera lens and pull the drawstring to fully exclude incidental light.



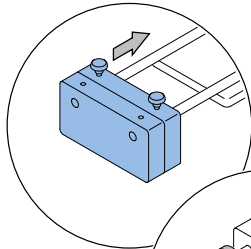
Fitting the Counterbalance Weights

The prompter installation must have counterbalance weights fitted to the rear of the mounting to compensate for the front-heavy effect of the prompter monitor and hood.

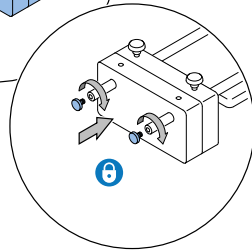
1. Unscrew the end caps from the mounting rods protruding from the rear of the mounting plate.



2. Carefully slide the counterbalance weights onto the rods.



3. Refit the end caps securely.



Balancing and Adjustments

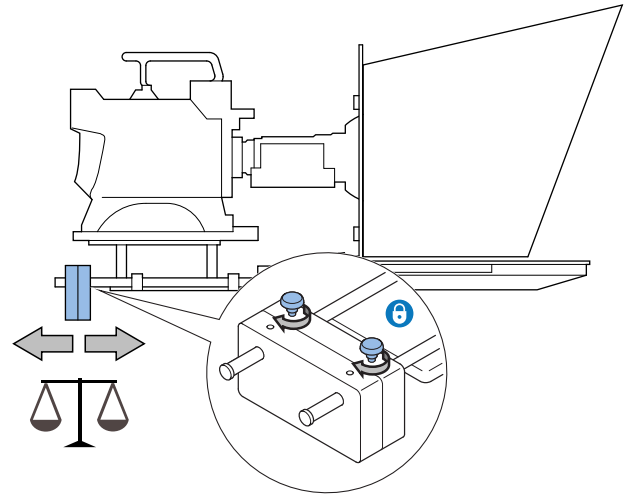


WARNING! After fitting or adjusting the prompter assembly and any accessories, the payload must be correctly re-balanced.

Balancing is achieved by correctly positioning the counterbalance weights. Other adjustments can also be made to the prompter assembly position if this is a requirement of the installation.

Basic Balancing

1. Slide the counterbalance weights along the rods and secure in position with the two clamping screws. Unlock the tilt axis and check the fore and aft balance of the payload.



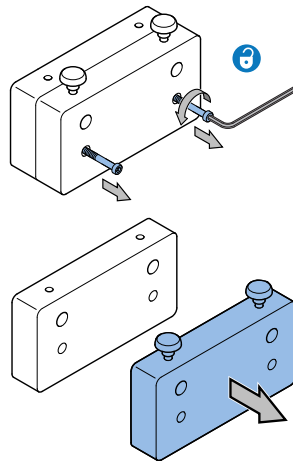
Installation

- If the payload is not correctly balanced, lock the tilt axis and:
 - If the payload is falling forward (front heavy), move the counterbalance weights further back on the rods.
 - If the payload is falling backwards (rear heavy), move the counterbalance weights further forward on the rods.
- Secure the counterbalance weights and re-check the balance.

Splitting the Counterbalance weights

If the counterbalance weights have too much effect even in the closest mounting position, one half can be removed.

- If fitted, remove the counterbalance weights from the prompter assembly.
- Using a 4 mm Allen key, remove the two screws securing the weights together.
- Separate the weights and refit one of the halves with the clamping screws.



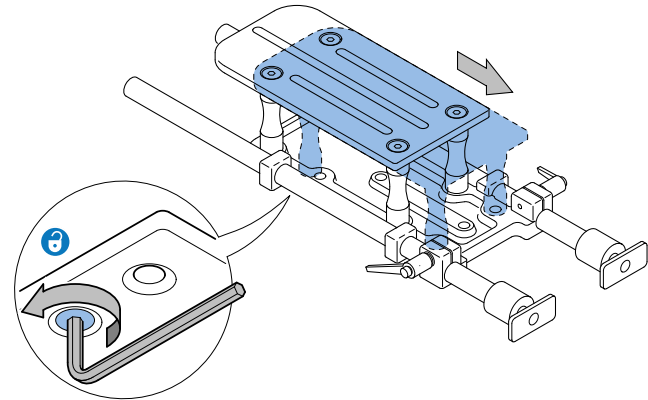
Additional Adjustments



WARNING! Before attempting to adjust the prompter assembly, the tilt axis of the head support must be securely locked horizontally (tilt axis).

Additional adjustments can be made to the MT-RED camera mounting plate if balancing cannot be achieved or there are specific requirements for an installation.

The top camera mounting plate can be moved to offset the position of the camera, by removing the bottom screws with a 4 mm Allen key and reseating the assembly in the other four screw holes.



Camera Support Adjustments

If necessary, further balancing and positional adjustments can be made to the camera head support (manual or robotic).

Connecting the Prompter Monitor

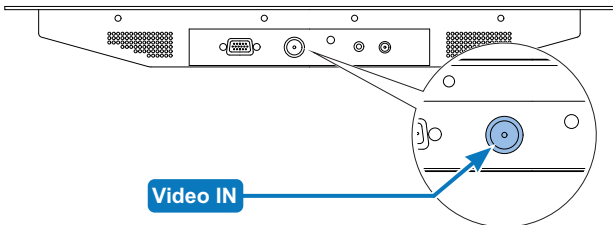
The connections panel is located at the rear of the monitor.

Video Connection



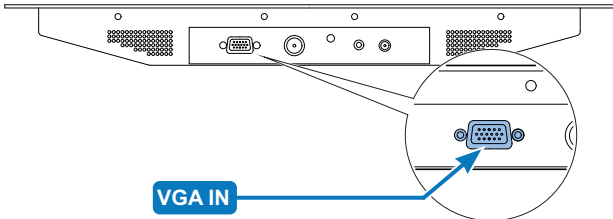
Connection using composite video or HD/SDI to the prompter monitor must always be made with screened 75Ω coaxial cable. The video cable screen must be connected to earth (ground) at both ends.

Composite Video Connection



VGA Connection

This connection allows a PC VGA signal to be displayed on the monitor.

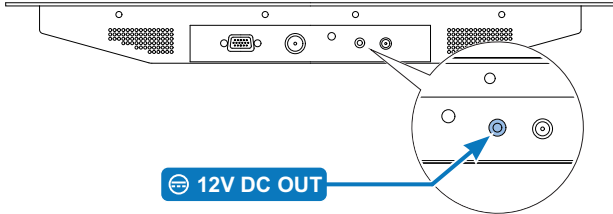


Accessory DC Connection



CAUTION! The accessory DC out socket is intended for use with approved Autoscript accessories only. Do not exceed the current output limit of the product when powering auxiliary devices.

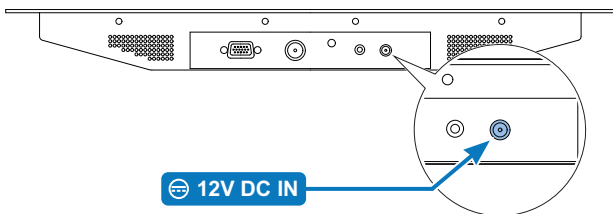
Provides a 12V DC supply to operate external accessories such as the Autoscript +TallyPlus+.



Power Connection



CAUTION! Only use a regulated 12V DC power source capable of supplying at least 3A.



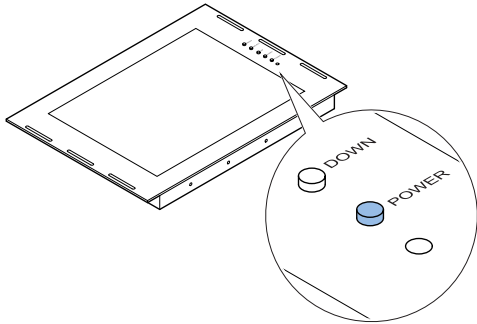
For more information on the specifications of the connection sockets, see the section **Connections Data** on page 23.

Installation

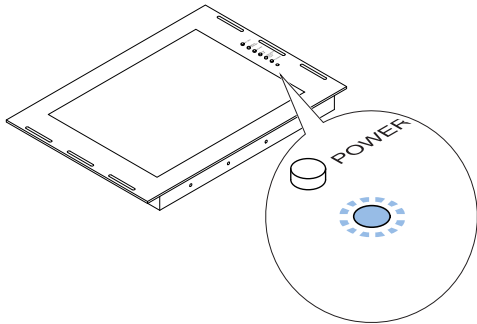
Powering Up

Before powering up, ensure that all external cable connections have been secured correctly.

To power up, depress the on/off power switch.



If power is present, the power indication LED will illuminate.



Control Panel Buttons

The buttons on the control panel are used to configure and operate the prompter monitor screen.

Direct Function Buttons

Button	Button Function
SELECT	Video input selection - Press repeatedly until the desired input is displayed
UP	Backlight brightness control bar is selected - then use the UP/DOWN buttons to adjust
DOWN	Auto picture adjustment (RGB input only)

OSD Menu control Buttons

Button	Button Function
MENU	<ul style="list-style-type: none"> Enters the OSD menus and sub menus Exits menus and sub menus
SELECT	<ul style="list-style-type: none"> Selects a menu page Selects a sub menu function
UP	<ul style="list-style-type: none"> Navigates up through a menu Adjusts a setting value
DOWN	<ul style="list-style-type: none"> Navigates down through a menu Adjusts a setting value

Monitor Function OSD Menus

A description of the monitor function OSD setup menus is shown in the following table, with main pages, sub menus and any parameters that can be changed by the user.

Sub Menu	Parameters	Description
Main Page - PICTURE (RGB/DVI/CVBS/HDMI)		
Picture Mode	<ul style="list-style-type: none"> Standard Dynamic Soft Personal 	Adjusts the preset picture mode
Contrast	0 - 100	Adjusts the screen contrast
Brightness	0 - 100	Adjusts the screen brightness
Backlight	0 - 100	Adjusts the brightness level of the monitor backlight
Sharpness	0 - 100	Adjusts the sharpness of the screen image
Tint	-50 - +50	CVBS/HDMI only - Adjusts the tint of the screen image
Color	0 - 100	CVBS/HDMI only - Adjusts the colour of the screen image
Color Mode	<ul style="list-style-type: none"> Normal Warm Cool User(RGB) 	Adjusts the colour temperature of the screen image

Configuration

Sub Menu	Parameters	Description
3D NR	<ul style="list-style-type: none"> • Standard • Strong • Auto • Off • Weak 	Selects the desired NR mode
Auto Color		RGB only - Automatically adjusts the horizontal and vertical positions of the image. The monitor screen must be displaying prompted text or images for this to function
Main Page - OPTION		
Menu Language	<ul style="list-style-type: none"> • English • Française • Deutsch • Italiano • Español • Nederlands 	Selects the OSD language
Transparency	0 - 100%	Adjusts the OSD transparency
OSD Time Out	<ul style="list-style-type: none"> • 5-60 Secs • Off 	Defines the OSD time out period when idle
Source Setting	<ul style="list-style-type: none"> • CVBS • HDMI • DVI • RGB 	Turns the input sources ON or OFF
Restore Default	<ul style="list-style-type: none"> • YES • NO 	Resets all settings (except OSD language) to factory defaults

Sub Menu	Parameters	Description
Main Page - FUNCTION		
Sleep Timer	0 - 240 Min	Adjusts the sleep time duration
Zoom Mode	<ul style="list-style-type: none"> • Normal • Wide • Zoom* 	Selects the current zoom mode (*Zoom selection for CVBS and HDMI only)
Image Flip	<ul style="list-style-type: none"> • On • Off 	Reverses the displayed image vertically
Image Mirror	<ul style="list-style-type: none"> • On • Off 	Reverses the displayed image horizontally
Auto Source	<ul style="list-style-type: none"> • On • Off 	When 'On' this function detects valid input sources automatically
XGA Mode	<ul style="list-style-type: none"> • 1024x768 • 1280x768 • 1360x768 • 1366x768 	Selects the resolution of the RGB input
HDMI Mode	<ul style="list-style-type: none"> • PC • Video • No Overscan 	Selects the HDMI image setting

Routine Maintenance

The ELP15 PLUS on-camera prompter requires minimal routine maintenance, apart from checking the connections and overall operation periodically.

Routine checks

During use, check the following:

- Check cables for signs of wear or damage. Replace as necessary.
- Check that all cables are connected properly.

Cleaning



WARNING! Risk of electric shock. Disconnect and isolate the product from the power supply before cleaning.

Prompter Assembly Cleaning

During normal use the only cleaning required should be a regular wipe over with a dry, lint-free cloth. Dirt accumulated during storage or periods of disuse may be removed with a vacuum cleaner. Particular attention should be paid to all connection ports on the monitor.

Reflective Glass Cleaning



WARNING! Risk of personal injury or injury to others. Care must be taken when handling or cleaning the reflective glass panels. Always store spare glass panels in the original packaging.

Care and cleaning of the reflective glass panel is essential for increased life and prompting display performance.

No solvents or glass cleaners should be used. Only use clean water and a damp lens cloth when cleaning. Do not apply excessive pressure to the reflective glass panel during the cleaning process.

Troubleshooting

Fault	Check	Comments
The monitor is not powering up.	Check that the DC power source is connected and secured.	See the section Power Connection on page 17
	Check that AC power is being supplied to the DC adaptor.	
No prompting text or video display on the monitor screen.	Check that the video cable is connected and the video source is active.	See the section Video Connection on page 17
	Use the INPUT SELECTION button to step through to the correct video input channel.	See the section Control Panel Buttons on page 19
The prompting text display is 'noisy' (poor quality imaging)	Ensure that quality screened cables have been used for the video signal and that the screen is earthed at both ends.	

Physical Data

Width*	415 mm (16.3 in)
Height*	275 mm (10.8 in)
Length*	44 mm (1.7 in)
Weight	2.3 kg (5.1 lb)

*Excluding controls/connectors.

Environmental Data

Operating temperature range	5°C to +40°C (41°F to +104°F)
Storage temperature range	-20°C to +60°C (-4°F to +140°F)

Electrical Data

Video inputs	PAL/NTSC, VGA
DC power input	12V DC
Power consumption	16W (1.3A)

Display Data

Backlight technology	LED
Brightness	400 nits
Contrast ratio	700:1
Resolution	1024 x 768 (XGA)
Viewing angle	160°(H), 140°(V)
Diagonal screen size	381 mm (15 in)
Display area	304.1 x 228.1 mm (12 x 9 in)
Reading range	5 m (16 ft, 5 in)

Connections Data

Composite Video In and Out

Connector type: 75Ω BNC socket.

Pin	Signal
Centre	Composite Video In (PAL or NTSC)
Outer	GROUND (Cable screen)

VGA Input

Connector type: 15 pin High Density D socket.

Pin connections conform to the VESA VGA standard.

DC Power Input

Connector type: 2.1 mm power socket.

Pin	Signal
Centre	+12V DC
Outer	GROUND

Accessory DC Output

Connector type: 3.5 mm mono jack socket.

Pin	Signal
Tip	+12V DC
Sleeve	GROUND

Technical specifications are subject to change without notice.

General Notices

FCC Certification



FCC Notice

This product complies with the limits for a Class A digital device, pursuant to Part 15 of the FCC Rules. These limits are designed to provide reasonable protection against harmful interference in a commercial environment. This equipment generates, uses and can radiate radio frequency energy and, if not installed and used in accordance with the instructions, may cause harmful interference with radio communications. Operation of this product in a residential area is likely to cause harmful interference, in which case you will be required to correct the interference at your own expense.

FCC Warning

Changes or modifications not expressly approved by the party responsible for compliance could void the user's authority to operate the equipment.

FCC Declaration of Conformity

This product complies with Part 15 of the FCC Rules. Operation is subject to the following two conditions:

1. This product may not cause harmful interference.
2. This product must accept any interference received, including interference that may cause undesired operations.

Declaration of Conformity



Vitec Videocom Limited declares that this product has been manufactured in accordance with BS EN ISO 9001:2008.

This product complies with the following EU Directives:

- Low Voltage Directive 2006/95/EC
- EMC Directive 2004/108/EC

Compliance with these directives implies conformity to applicable harmonized European standards (European Norms) which are listed on the EU Declaration of Conformity for this product or product family. A copy of the Declaration of Conformity is available upon request.

Environmental considerations

ROHS Compliance Statement

Vitec Videocom Limited is compliant with the European Union Directive 2002/95/EC Restrictions of Hazardous Substances (RoHS) that restricts the use of hazardous substances in Electrical and Electronic Equipment.

European Union Waste of Electrical and Electronic Equipment (WEEE) Directive (2002/96/EC)



This symbol marked on the product or its packaging indicates that this product must not be disposed of with general household waste. In some countries or European Community regions separate collection systems have been set up to handle the recycling of electrical and electronic waste products. By ensuring this product is disposed of correctly, you will help prevent potentially negative consequences for the environment and human health. The recycling of materials helps conserve natural resources.

Visit our website for information on how to safely dispose of this product and its packaging.

In countries outside the EU:

Dispose of this product at a collection point for the recycling of electrical and electronic equipment according to your local government regulations.

Pollution statement

This equipment is designed for operation in Pollution Degree 2 environments.

Publication part No. ELP15PLUS-4980/1



www.autoscript.tv