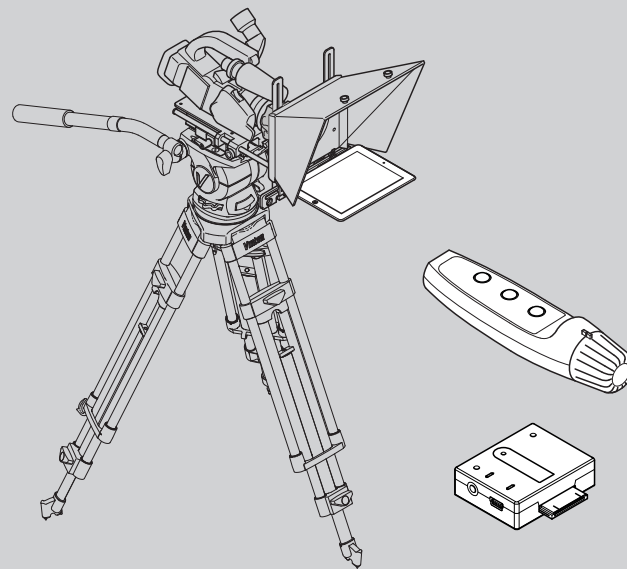


## WinPlus Remote iPad® Prompter Control Solution



Part Nos. WP-REM

**Copyright © 2015**

All rights reserved.

Original Instructions: English

All rights reserved throughout the world. No part of this document may be stored in a retrieval system, transmitted, copied or reproduced in any way, including, but not limited to, photocopy, photograph, magnetic or other record without the prior agreement and permission in writing of the Vitec Group plc.

**Disclaimer**

The information contained in this manual is believed to be correct at the time of printing. Vitec Videocom Ltd reserves the right to make changes to the information or specifications without obligation to notify any person of such revision or changes. Changes will be incorporated in new versions of the publication.

We are making every effort to ensure that our manuals are updated on a regular basis to reflect changes to product specifications and features. Should this manual not contain information on the core functionality of your product, please let us know. You may be able to access the latest revision of this manual from our website.

Vitec Videocom Ltd reserves the right to make changes to product design and functionality without notification.

**Trademarks**

All product trademarks and registered trademarks are the property of The Vitec Group Plc.

Apple, iPad, and Lightning are trademarks of Apple Inc., registered in the U.S. and other countries. App Store is a service mark of Apple Inc.

All other trademarks and registered trademarks are the property of their respective companies.

**Published by:**

Vitec Videocom Ltd  
Supports Technical Publications Department  
Western Way, Bury St Edmunds  
Suffolk IP33 3TB  
United Kingdom

Email: [technical.publications@vitecgroup.com](mailto:technical.publications@vitecgroup.com)

<b>Safety</b> .....	<b>2</b>	FTP Logging Enabled .....	14
<b>About this Guide</b> .....	<b>3</b>	Additional Save Features .....	14
<b>System Requirements</b> .....	<b>3</b>	<b>Operation</b> .....	<b>16</b>
<b>Components and Connections</b> .....	<b>4</b>	Using the iScroll .....	16
iScroll .....	4	Prompter Text Control .....	16
iGlue .....	4	Function Buttons .....	16
Box Contents .....	5	Changing the Scroll Control Preferences .....	17
<b>Installation</b> .....	<b>6</b>	Lanyard Strap .....	17
Downloading and Installing the iPad App .....	6	<b>Maintenance</b> .....	<b>18</b>
WinPlus Remote Software .....	6		
WinPlus Remote Security Dongle .....	6		
Installing WinPlus Remote Software .....	6		
Installing the iPad Prompter Hardware .....	7		
Connecting the Controller Hardware .....	8		
Connecting the iGlue .....	8		
Connecting the iGlue - Lightning Connector .....	8		
iGlue Indicator LED .....	9		
iPad Charging Through the iGlue .....	9		
Connecting the iScroll .....	9		
Extending the iScroll Connection .....	10		
Connecting Two iPad Prompters .....	10		
System Connections Overview .....	11		
<b>Configuration</b> .....	<b>12</b>		
WinPlus Remote Configuration .....	12		
Upload Control .....	13		

# Safety

**Important information on the safe installation and operation of this product. Read this information before operating the product. For your personal safety, read these instructions. Do not operate the product if you do not understand how to use it safely. Save these instructions for future reference.**

## Warning Symbols Used in these Instructions

Safety cautions are included in these instructions. These safety instructions must be followed to avoid possible personal injury and avoid possible damage to the product.



### WARNING!

Where there is a risk of personal injury or injury to others, comments appear supported by the warning triangle symbol. Where there is a risk of damage to the product, associated equipment, process or surroundings, comments appear supported by the word 'Caution'.



### ELECTRIC SHOCK

Where there is a risk of electric shock, comments appear supported by the hazardous voltage warning triangle.

## Intended Use

The WinPlus Remote system has been designed to provide an iPad® based prompter control and display solution as part of a high quality teleprompting facility for television broadcasting.

The system is intended for use by television presenters and camera operators, installed within a television studio environment, or on outside broadcasts (OB) when equipment is protected from weather by a suitable waterproof cover.

## Electrical Connection



**WARNING! Risk of electric shock.** Always check cables for signs of damage. Damaged cables can cause personal injury and/or damage the equipment.



**CAUTION!** The products must be connected to a power supply of the same voltage (V) and current (A) as indicated on the products. Refer to the technical specifications for the products.



**CAUTION!** Only use the connecting cables specified for the products and certified for the country of use.



**CAUTION!** Using alternative power sources will invalidate the system EMC liability.

## Water, Moisture and Dust



**WARNING!** Protect the product from water, moisture and dust. The presence of electricity near water can be dangerous.



**WARNING!** When using this product outside, protect from rain using a suitable waterproof cover.

## Mounting and Installation



**WARNING!** Always ensure that all power and auxiliary communications cables are routed so that they do not present any danger to personnel. Take care when routing cables in areas where robotic equipment is in use.

## Operating Environment



**CAUTION!** The product should not be used outside the operating temperature limits. Refer to the product technical specifications for the operating limits for the product.

## Cleaning



**WARNING! Risk of electric shock.** Always disconnect and isolate the product from the power supply before cleaning.



**CAUTION!** Do not use solvent or oil-based cleaners, abrasives or wire brushes.

## Maintenance



**WARNING!** Servicing or repair of this product must only be performed by qualified and trained electrical engineers.



**WARNING!** The fitting of non-approved parts and accessories, or the carrying out of non-approved alterations or servicing can be dangerous and could affect the safety of the product. It may also invalidate the terms and conditions of the product warranty.

## About this Guide

This guide describes the installation, configuration and operation of the WinPlus Remote system and associated products as part of an iPad based prompting system.

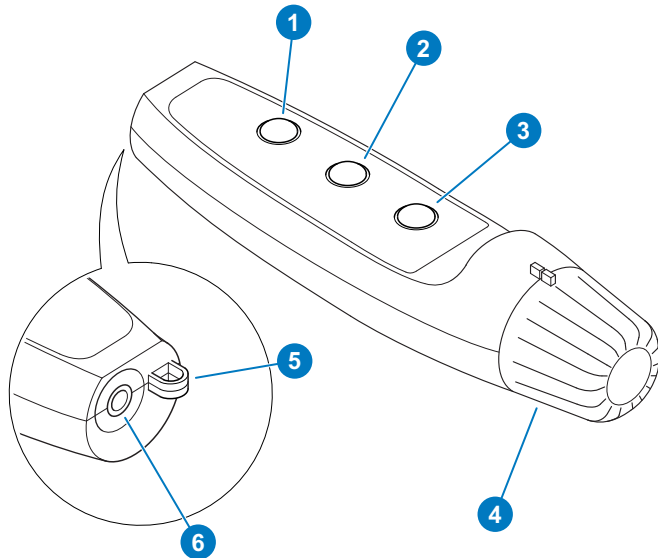
## System Requirements

The WinPlus Remote system has the following minimum requirements to function correctly:

- A host PC running the WinPlus Remote software
- A WinPlus Remote USB security dongle installed on the host PC
- An iPad with the picoPrompt and picoScroll applications purchased and installed from the Apple® App Store<sup>SM</sup>
- A prompter hardware setup compatible with the iPad
- Access to a File Transfer Protocol (FTP) site
- An internet connection at the location of the host PC and the iPad prompter (minimum 2G connection standard for mobile data)

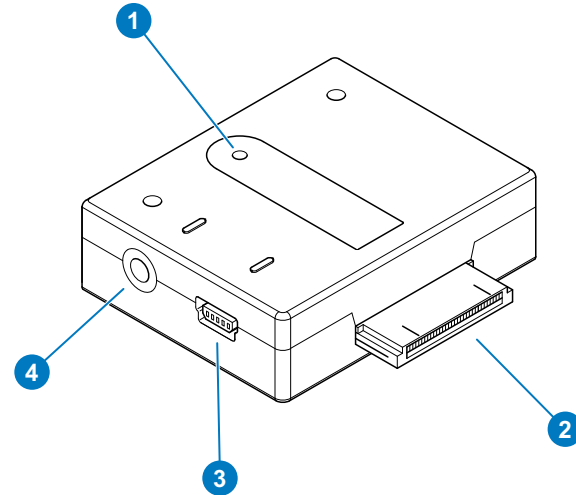
# Components and Connections

## iScroll



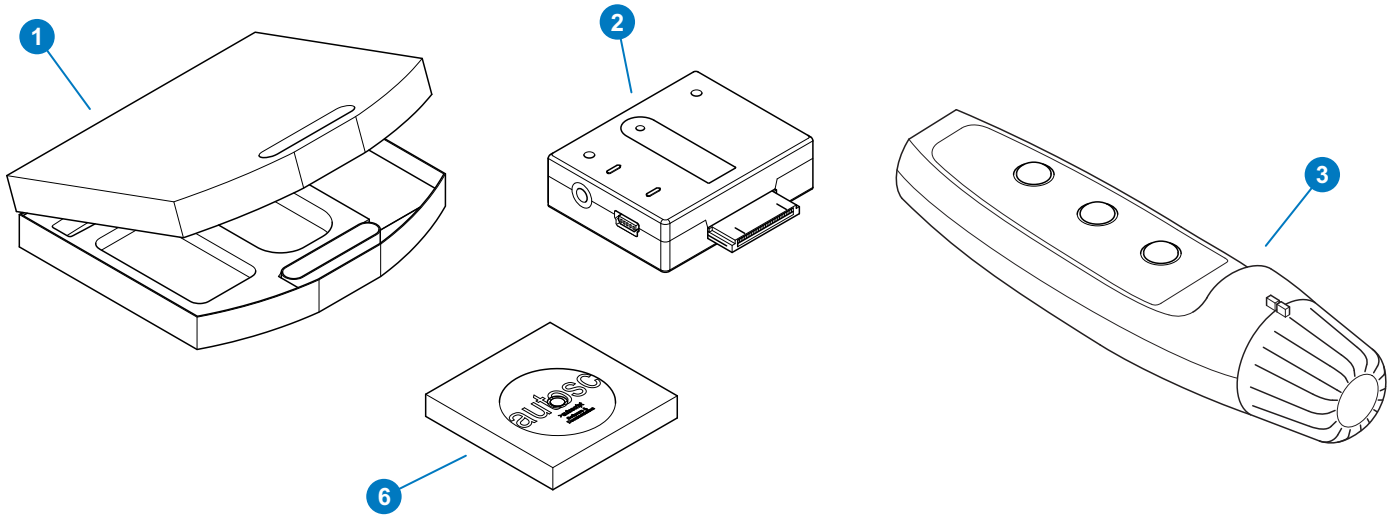
- |   |   |
|---|---|
| 1 | Next page/story/marker button           |
| 2 | Previous page/story/marker button       |
| 3 | Top of script/call script update button |
| 4 | Scroll control knob                     |
| 5 | Lanyard attachment loop                 |
| 6 | Power and data socket                   |

## iGlue

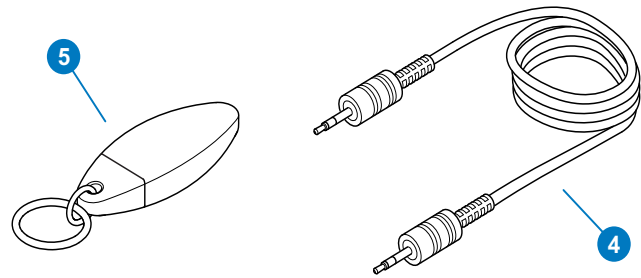


- |   |                       |
|---|-----------------------|
| 1 | Indicator LED         |
| 2 | iPad connector        |
| 3 | Mini USB socket       |
| 4 | Power and data socket |

## Box Contents



No.	Part	Description
1	<b>TC-REM</b>	Travel case (containing items 2 to 6)
2	<b>IGLUE</b>	iGlue interface
3	<b>ISCROLL</b>	iScroll hand control
4	<b>MJ-PICO</b>	3.5 mm iGlue to iScroll connecting cable
5	<b>WPI-K</b>	WinPlus Remote USB security dongle
6	<b>A5000-5937</b>	WinPlus Remote software installation CD



# Installation

## Downloading and Installing the iPad App

For the prompting system to function in partnership with picoPrompt, an app must be downloaded and installed on the iPad/iDevice. The app is called **picoPrompt prompting display app**

The picoPrompt app is available for download from the Apple App Store. It is developed and supported by Teleprompting Techniques Limited.

For more information on the configuration and operation of picoPrompt, refer to the picoPrompt handbook available for download from [www.allaboutprompting.com](http://www.allaboutprompting.com).

## WinPlus Remote Software

WinPlus Remote is a software and hardware application which enables scripted text, which is imported into the WinPlus Software application running on a PC/laptop, to be exported via an FTP site to an iDevice and then prompted.

Changes to the scripted text are automatically uploaded to the FTP site at a predetermined interval and can then be displayed on an iDevice which is also connected to the FTP site.

To import scripted text and enable the script upload the minimum requirements are:

- WinPlus software version uau9974.exe or later
- PC/laptop running Windows XP, Vista, 7 or 8
- USB security dongle (WPI-K)
- An available USB port on the PC/laptop

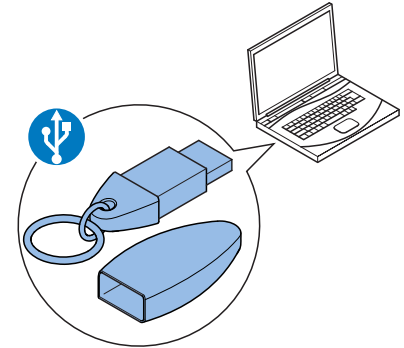
## WinPlus Remote Security Dongle

The WinPlus Remote software will not function unless the supplied security dongle is used.

When prompted in step 5 of the installation procedure below, insert the security dongle into a spare convenient USB socket on the host PC/laptop.

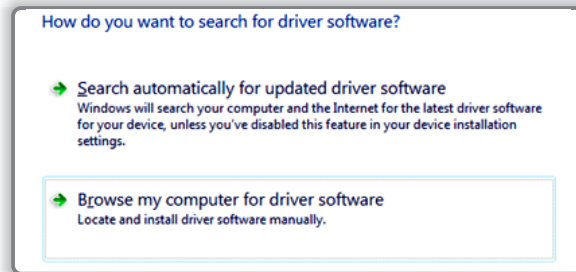
## Installing WinPlus Remote Software

1. Insert the Autoscript software CD.
2. Either use the AutoRun feature or browse the CD and install the WinPlus software (version uau9974.exe or later).
3. Follow the installation prompts. This will install the WinPlus software and drivers. Allow time for the installation to run fully.
4. If the default installation location is not chosen, make a note of where the application has been installed.
5. Insert the WPI-K into an available USB slot.

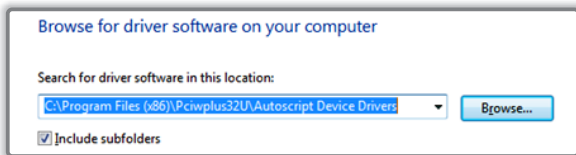




- The PC/laptop may ask for the drivers. In this case the Hardware Wizard will launch. Select **Browse my computer for driver software**.



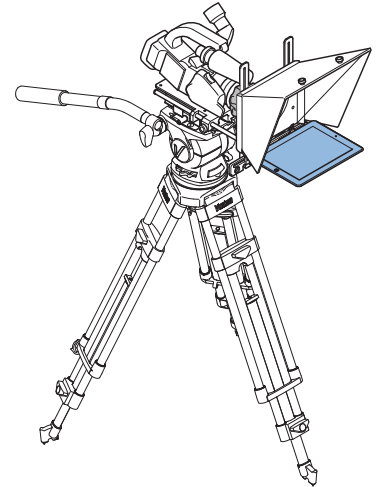
- Browse to the installation location:
  - If the default installation location was selected, browse to the path: **C:\Program Files (x86)\Pciwplus32U\Autoscript Device Drivers**.



- If the default installation location was not chosen, browse to the alternative location.
- Ensure that **Include subfolders** is selected.
  - Click **Next** and follow the instructions to fully install WinPlus.

## Installing the iPad Prompter Hardware

Install the iPad and any prompter hardware such as a mounting system or hood onto the camera support. Refer to the specific manufacturers' documentation and safety guidelines for additional information.



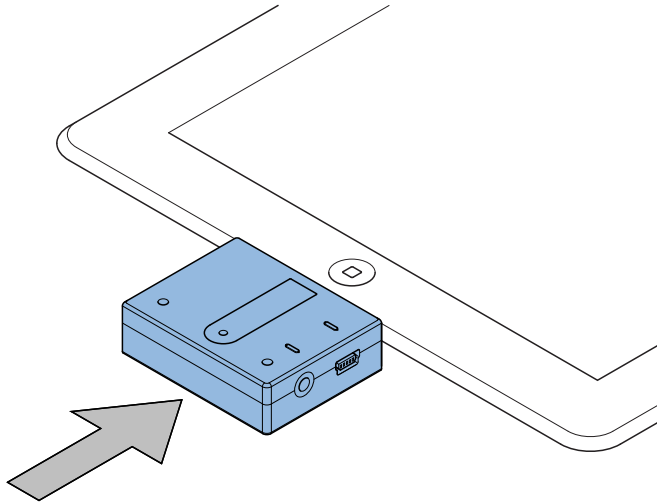
# Installation

## Connecting the Controller Hardware

The iGlue is an interface adaptor which plugs into the 30 way dock connector on the iPad. The iScroll hand control is specifically designed for the prompter app picoPrompt running on the iPad.

More recent versions of the iPad (4th generation onwards) have a lightning connector and this requires an adaptor to connect the iGlue.

## Connecting the iGlue



The iGlue can be connected to the iPad at any time (powered up or down).

## Connecting the iGlue - Lightning Connector

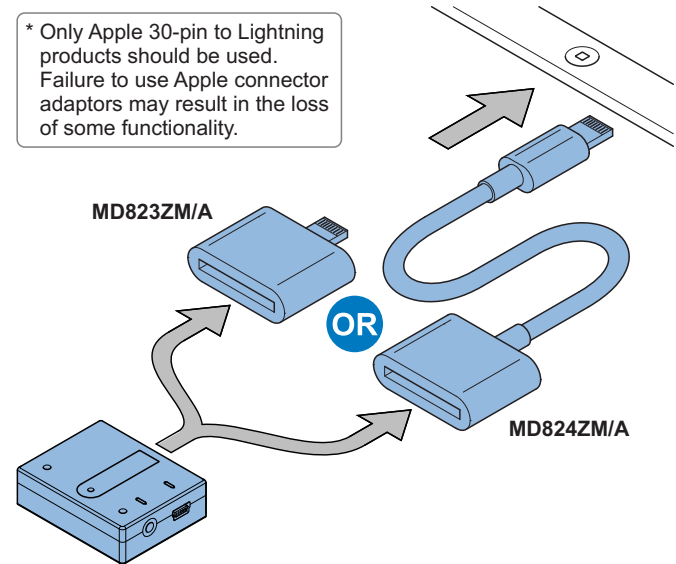


**CAUTION!** Risk of product failure. Only use the recommended original Apple Lightning adaptors.

When connecting the iGlue to an iPad fitted with a Lightning connector, an adaptor is required. Two adaptors\* are available from Apple:

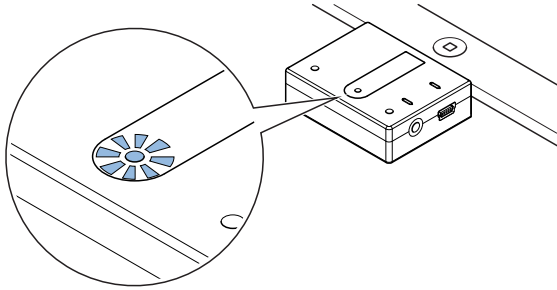
<b>MD823ZM/A</b>	Solid enclosure adaptor
<b>MD824ZM/A</b>	0.2 m adaptor cable

\* Only Apple 30-pin to Lightning products should be used. Failure to use Apple connector adaptors may result in the loss of some functionality.



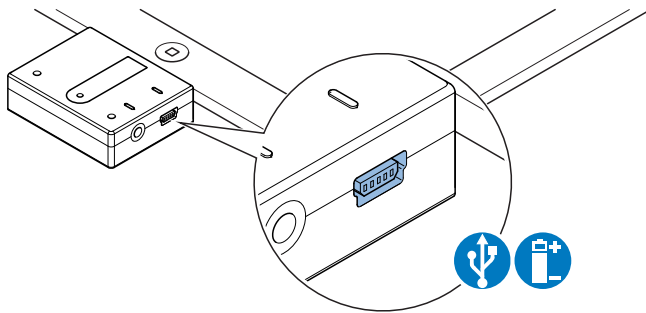
## iGlue Indicator LED

When the iGlue has been connected and the iPad is powered up, an LED will flash three times to indicate device authentication has been successful and that the iGlue is active.



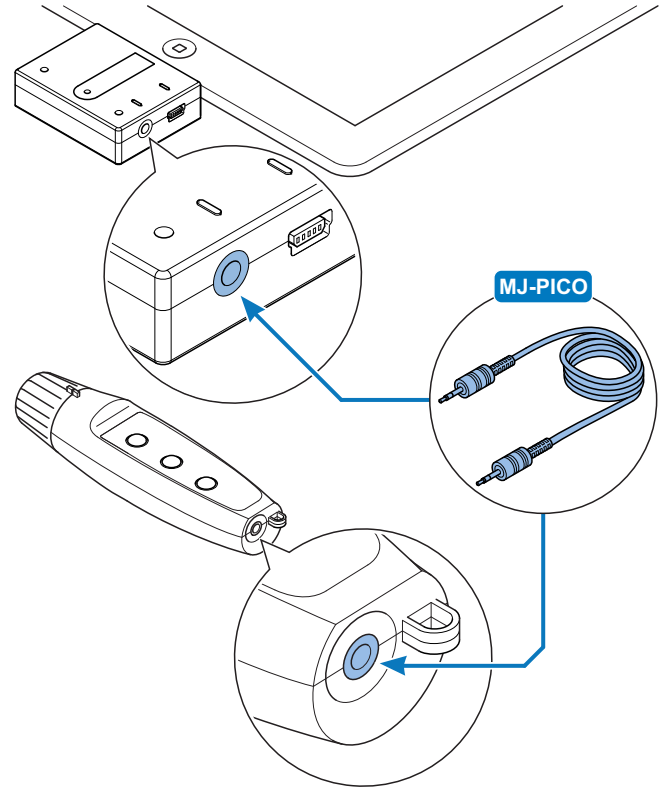
## iPad Charging Through the iGlue

A mini USB port is available on the iGlue for pass through charging. This enables a standard mini USB power supply to be connected to the iGlue to charge the iPad during prompting activities.



## Connecting the iScroll

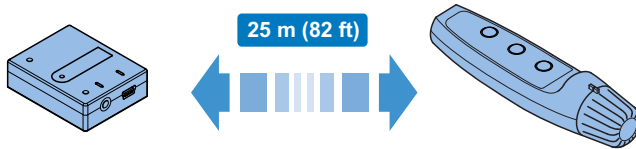
The iScroll is connected to the iGlue by means of a 3.5mm jack cable (provided).



# Installation

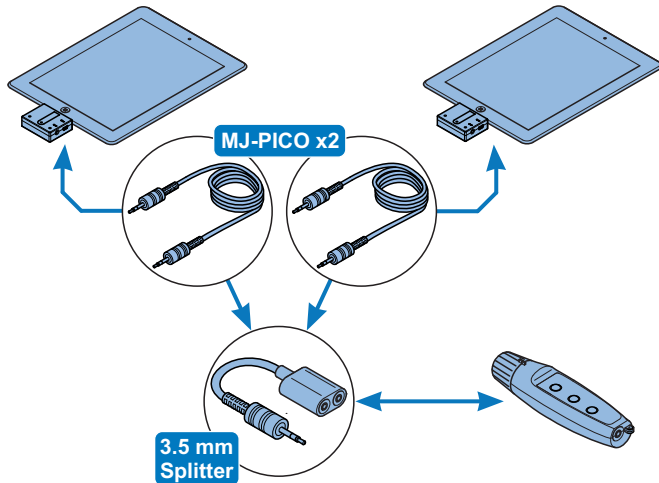
## Extending the iScroll Connection

The connection to the iScroll can be extended by up to 25 metres in length using a suitable high quality 3.5 mm jack extension cable.

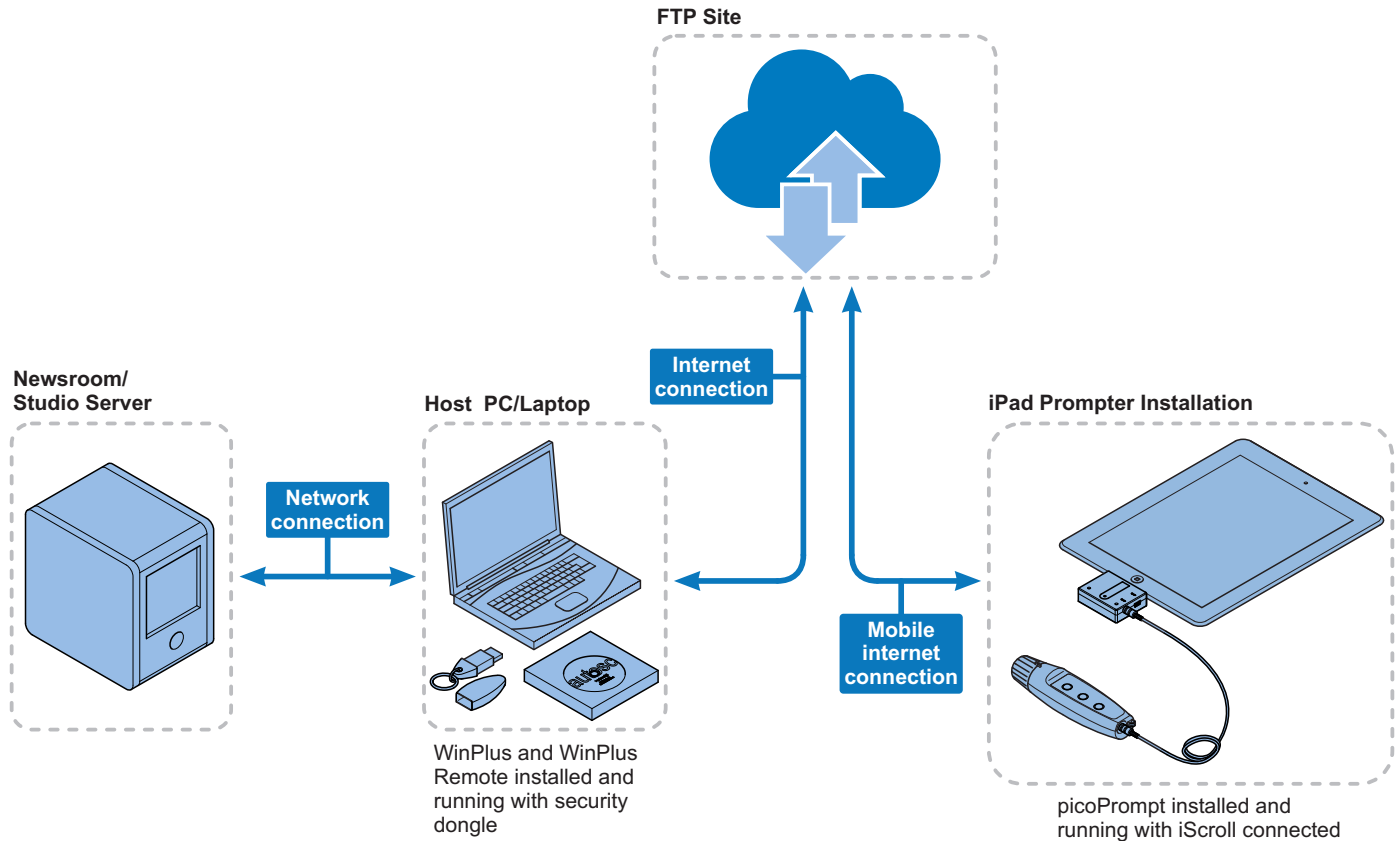


## Connecting Two iPad Prompters

Two iPads running picoPrompt can be controlled by a single iScroll device by using a second iGlue, an additional MJ-PICO cable, and a 3.5 mm jack cable splitter adaptor.



## System Connections Overview

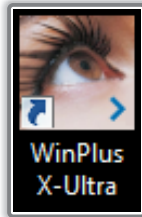


# Configuration

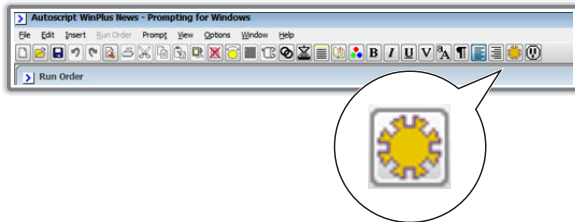
## WinPlus Remote Configuration

When WinPlus and the WPI-K dongle are installed, WinPlus Remote settings can be configured. This is done via the WinPlus configuration.

1. To access the configuration, launch WinPlus from the desktop icon.



2. To open the configuration window either click to select **Options > Configuration** from the main menu, or click on the icon on the right side of the toolbar.



3. All settings can be found under the **WP-Rem** tab in the WinPlus Configuration.

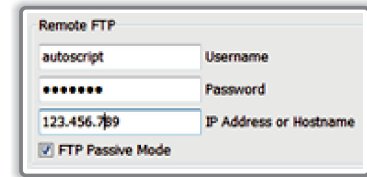


## WP-Rem Tab Configuration

When the WP-Rem tab has been selected, all the settings relevant to WinPlus Remote can be configured or changed.

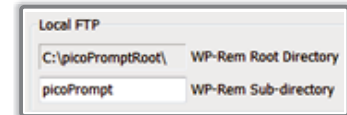
### Remote FTP

Enter the Username, Password and IP Address or Hostname for the FTP site.



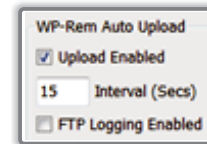
### Local FTP

These settings specify the directory on the local computer where the script or story files will be stored. This can be used in conjunction with the picoServe FTP server software, (available from Apple App Store, developed and supported by Teleprompting techniques Limited) which in turn interfaces with WinPlus Remote.



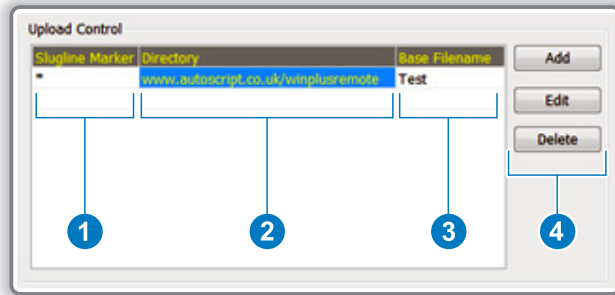
### WP-Rem Auto Upload

This function enables a script or individual stories to be uploaded at specified time intervals to the FTP site.



## Upload Control

The Upload Control area on the WP-Rem tab is used to configure how scripts are sent and handled at the remote location.



### 1 Slugline Marker

This field is used to specify which stories are to be sent to the FTP site. When configured to upload the script as a single file, only the required stories are added to the file. If configured to upload individual stories, then only matching stories are sent to the FTP site.

The Slugline Marker can be any number of characters and a positive match will occur if the initial characters of the story Slugline match.

Typically, the filter would be set to a character such as an asterix \*. All stories that have a Slugline starting with a \* would then be included in the script for upload to the FTP site.



If the Slugline Marker field is blank, the filter is turned off and all stories will be included in the FTP transfer.

### 2 Directory

This field specifies the FTP directory to which the script or story file is to be sent. So, if required, script or story files created as a result of different Slugline Markers can be sent to different FTP directories.

### 3 Base Filename

When the **Mode** is set to **Single Script File**, this parameter forms the base part of the filename to which the date is appended. The resultant filename is that used to save the script on the FTP site.

When the **Mode** is set to **Individual Story Files**, only the first entry in the **Upload Control** grid is used. This means that only one **Slugline Marker** is available and all the stories will be sent to the directory specified in the first row. The filename for each story is constructed from the Slugline text and not from the **Base Filename**.

### 4 Upload Control Buttons

The **Add**, **Edit** and **Delete** buttons can be used to create, modify or remove entries from the **Upload Control** grid. Double clicking on an existing entry will also invoke the **Edit** mode.



- The matching process is case sensitive.
- Some newsroom systems do not allow certain characters to appear in the Slugline of story text. ENPS for example does not allow any invalid filename characters.
- Although the configuration for WinPlus Remote is enabled, a USB dongle is required for all of the WinPlus Remote functions to become operational.

# Configuration

## FTP Logging Enabled

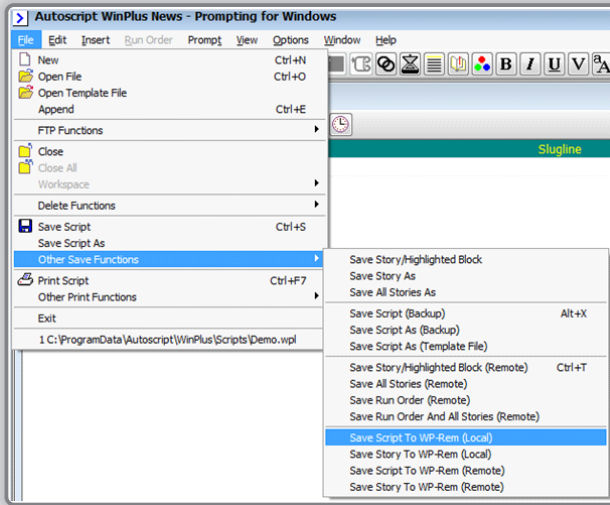
Enabling this option will store all FTP activity to be logged into a file in the **HistoryLog** directory.



The file will be named **picoftplotg\*\*\*\*.txt**, where \*\*\*\* is a representation of the date.

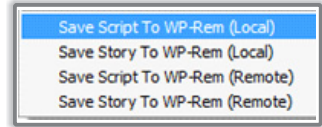
## Additional Save Features

Additional script and story saving features are available by clicking to select **File > Other Save Functions** from the menu.



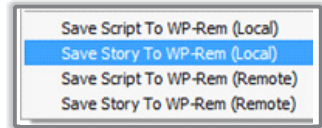
## Save Script To WP-Rem (Local\*)

This function saves the entire script to the directory specified in the **Local FTP** section of the **WP-Rem** tab. The default base directory is **C:\picoPromptRoot** and the subdirectory is specified by the user. The script is saved as a **.ppf** file to be compatible with the picoPrompt application. The user is prompted to enter a filename for the script.



## Save Story To WP-Rem (Local\*)

This function saves a single story to the directory specified in the **Local FTP** section of the **WP-Rem** tab. The default base directory is **C:\picoPromptRoot** and the subdirectory is specified by the user. The story is saved as a **.ppf** file to be compatible with the picoPrompt application. The story filename will be constructed from the Slugline.

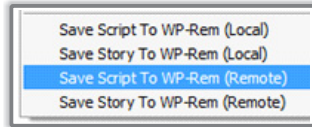


\* The local save functions are used in conjunction with the picoServe FTP server application (available from Apple App Store, developed and supported by Teleprompting techniques Limited) running on the LAN which interfaces to picoPrompt.



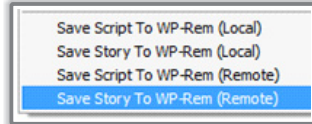
## Save Script To WP-Rem (Remote)

This function saves the entire script to the directory specified in the **Remote FTP** section of the **WP-Rem** tab. The script will be saved as a **.ppf** file to be compatible with the picoPrompt application. The user is prompted to enter a filename for the script.



## Save Story To WP-Rem (Remote)

This function saves a single story to the directory specified in the **Remote FTP** section of the **WP-Rem** tab. The story will be saved as a **.ppf** file to be compatible with the picoPrompt application. The story filename is constructed from the Slugline.



# Operation

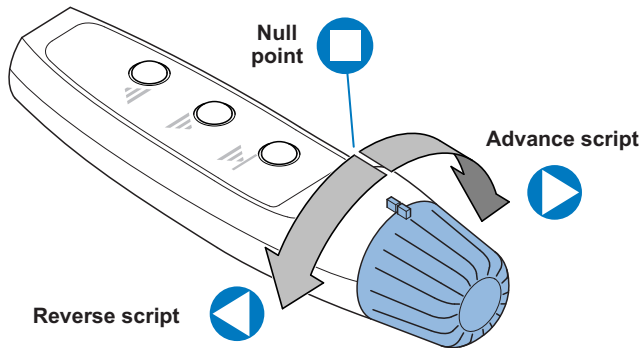
## Using the iScroll

The hand controller allows total freedom for the operator to move around and discreetly control the speed of the prompted text. The prompted text is controlled using a rotary knob for scroll control, with a centre stop. Three push buttons are provided for script and story control and configuration functions.

### Prompter Text Control

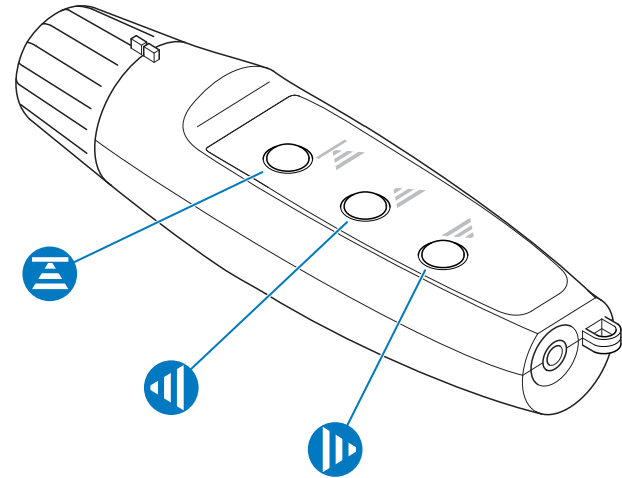
#### Scroll Control

With the default configuration settings, the script advances when the iScroll control knob is rotated clockwise and reverses when turned anti-clockwise. Turning the knob further in either direction increases the scroll speed. The control knob is sensitive and requires minimum movement to have an effect. There is a stationary null point between forward and reverse which can be felt when the reference marks on the knob and the hand control body are aligned.



## Function Buttons

The iScroll has three control buttons which perform the following default functions.



Returns the script back to the top/calls in script update



Returns to the previous page/story/marker

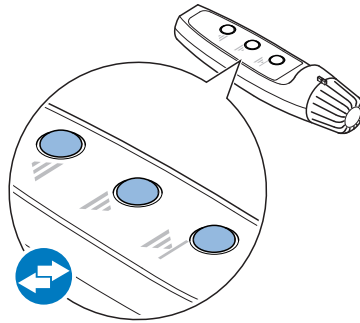


Advances to the next page/story/marker

## Changing the Scroll Control Preferences

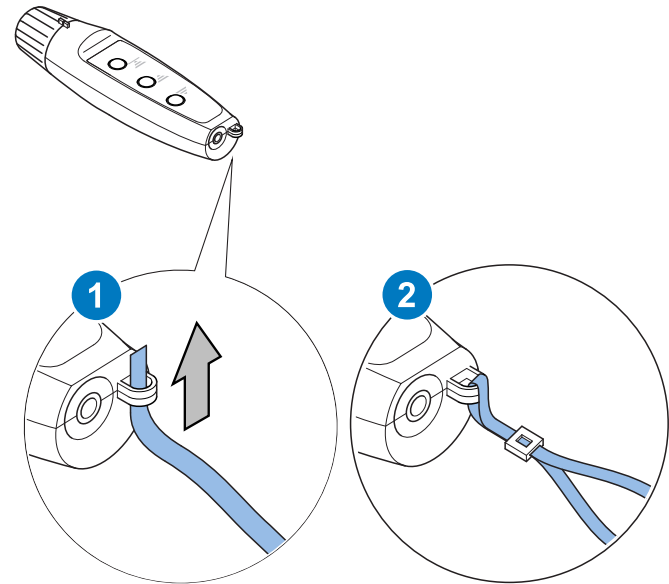
If it is preferred that the default configuration is reversed (i.e. advance and reverse script functions are swapped), hold all three function buttons down at the same time.

The default settings can be reinstated at any time by pressing the three buttons again simultaneously.



## Lanyard Strap

For security and convenience, a lanyard strap can be fitted to the iScroll.



# Maintenance

## Routine Maintenance

The iGlue and iScroll require minimal routine maintenance, apart from checking the connections and overall operation periodically.

### Routine checks

During use, check the following:

- Check cables for signs of wear or damage. Replace as necessary.
- Check that all cables are connected properly.

## Cleaning

---



**WARNING!** Risk of electric shock. Disconnect and isolate the product from the power supply before cleaning.

---

During normal use the only cleaning required should be a regular wipe over with a dry, lint-free cloth. Dirt accumulated during storage or periods of disuse may be removed with a vacuum cleaner. Particular attention should be paid to all connection ports on the iGlue and iScroll.









Publication part No. A6001-4980/1



[www.autoscript.tv](http://www.autoscript.tv)